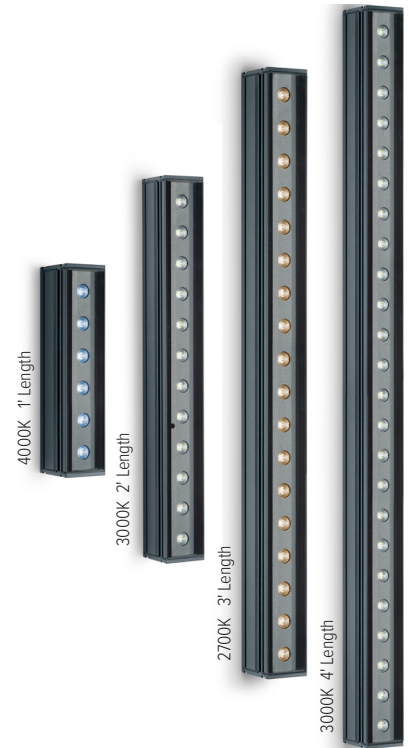


DESCRIPTION

PARADE L linear luminaires are available in one-foot increments up to four feet overall length. Each model features premium quality high brightness LEDs and a comprehensive selection of ten light distributions. Adjustable brackets are available in three standard lengths. Standard built-in programming capabilities include economical stand-alone operation or master-satellite configurations without the use of external control systems, or operation by remote DMX512 control systems. Four standard finishes are available with options for marine-grade or custom RAL finishes on request. All hardware is stainless steel.



IP67/ IK10 /  / 

Date: \_\_\_\_\_ Type: \_\_\_\_\_ Catalog Number: \_\_\_\_\_

Project Name: \_\_\_\_\_

ORDERING INFORMATION

LUMINAIRE								
MODEL	CCT	CONTROL	CABLE	VOLTAGE	OPTIC		FINISH	OPTION
<b>PDL1</b> Parade L1 - 1' Length	27K 2700K	<b>DMX-RDM</b> DMX-RDM	<b>M</b> Monocable Without Connectors (19.7")	<b>UNV</b> 120-277v	<b>SP</b> Spot 8°	<b>EW</b> Extra Wide 58°	<b>AG</b> Anthracite Grey	<b>AST</b> Anti-Saline Treatment
<b>PDL2</b> Parade L2 - 2' Length	<b>30K</b> 3000K		<b>C</b> Monocable With Connectors (19.7")		<b>NB</b> Narrow 12°	<b>ELH</b> Elliptical Horizontal 42° x 11°	<b>BL</b> Black	<b>LVR</b> Internal Honeycomb Louver
<b>PDL3</b> Parade L3 - 3' Length					<b>MB</b> Medium 26°	<b>ELWH</b> Elliptical Wide Horizontal 40° x 24°	<b>SG</b> Griven Silver Grey	
<b>PDL4</b> Parade L4 - 4' Length	<b>40K</b> 4000K				<b>WB</b> Wide 40°	<b>WW</b> Wall Wash 36° x 15° (5° incline)	<b>WH</b> White	
<b>PDL1PE</b> Parade L1 Polar Edition - 1' Length							<b>CC</b> Custom RAL Color	
<b>PDL2PE</b> Parade L2 Polar Edition - 2' Length								
<b>PDL3PE</b> Parade L3 Polar Edition - 3' Length								
<b>PDL4PE</b> Parade L4 Polar Edition - 4' Length								

MOUNTING (Required- Specify Finish Where Applicable)		*XX- MOUNTING FINISHES		WIRING ACCESSORIES
AL5055	(2) 3" Bracket	AG	Anthracite Grey	See separate Wiring and Accessory Application Sheet.
AL5056	(2) 6" Bracket	BL	Black	
AL5057	(2) 10" Bracket	SG	Griven Silver Grey	
WB-06-PDL1/L2-XX*	(1) 6" Wall Bracket	WH	White	
WB-06-PDL3/L4-XX*	(2) 6" Wall Bracket	CC	Custom RAL Color	

Consult factory for availability of custom options. Factory assistance is available via phone at (864) 487-3535 ext. 258 or via email at DesignServices@EXP-Brands.com.

		PARADE L1	PARADE L2	PARADE L3	PARADE L4
PHYSICAL	HOUSING	Die-Cast Aluminum			
	LENS	Tempered Glass			
	YOKE	Stainless Steel			
	DIMENSIONS	12-5/8" x 2-3/4" x 3"	24" x 2-3/4" x 3"	36" x 2-3/4" x 3"	48" x 2-3/4" x 3"
	DRIVER LOCATION	Integral			
	WEIGHT	4 Pounds	6.2 Pounds	9 Pounds	11.7 Pounds
	OPERATING TEMPERATURE	-40°F to 122°F			

ELECTRICAL	POWER	20 Watts	38 Watts	59 Watts	79 Watts
	CURRENT	0.15A @ 120VAC 0.08A @ 277VAC	0.32A @ 120VAC 0.15A @ 277VAC	0.50A @ 120VAC 0.22A @ 277VAC	0.67A @ 120VAC 0.29A @ 277VAC
	CONTROL	DMX/RDM   Self-Addressing   Standalone   Master-Satellite   DMX/RDM Addressable per foot (Contact Factory) * See separate DMX Mode Application Sheet			
	CABLE	Monocable With or Without Connectors			
	CABLE LENGTH	19.7"			

PHOTOMETRIC	LED	2700K	3000K	4000K
	DELIVERED LUMEN OUTPUT	up to 7703 lumens	up to 7703 lumens	up to 8295 lumens
	EFFICACY	up to 103 lumens per watt	up to 103 lumens per watt	up to 111 lumens per watt
	VERTICAL AIMING	+/- 90°		
	LUMEN MAINTENANCE	L70 > 100,000 Hours at 77°F*		
	LIGHT CONTROL ACCESSORIES	Visor, Snoot, Internal Honeycomb Louver Available		

LIGHT DISTRIBUTIONS	MODEL	CCT	DISTRIBUTION / BEAM ANGLE							
			SPOT 8°	NARROW 12°	MEDIUM 26°	WIDE 40°	EXTRA-WIDE 58°	ELLIPTICAL 42° x 11°	ELLIPTICAL WIDE 40° x 24°	ELLIPTICAL 36° x 5° (5° Incline)
			LUMENS / EFFICACY							
PARADE L1	2700K & 3000K	1951 / 103	1790 / 94	1757 / 92	1695 / 89	1401 / 74	1626 / 86	1625 / 86	1553 / 82	
	4000K	2101 / 111	1928 / 101	1892 / 100	1825 / 96	1508 / 79	1751 / 92	1750 / 92	1672 / 88	
PARADE L2	2700K & 3000K	3903 / 103	3509 / 92	3514 / 92	3390 / 89	2801 / 74	3251 / 86	3250 / 86	3106 / 82	
	4000K	4203 / 111	3856 / 101	3784 / 100	3650 / 96	3017 / 79	3501 / 92	3500 / 92	3345 / 88	
PARADE L3	2700K & 3000K	4601 / 82	4137 / 74	4143 / 74	3997 / 71	3302 / 59	3833 / 68	3832 / 68	3662 / 65	
	4000K	4955 / 88	4546 / 81	4461 / 80	4303 / 77	3557 / 64	4127 / 74	4126 / 74	3944 / 70	
PARADE L4	2700K & 3000K	7703 / 103	7067 / 94	6936 / 92	6689 / 89	5528 / 74	6416 / 86	6414 / 86	6129 / 82	
	4000K	8295 / 111	7610 / 101	7469 / 100	7204 / 96	5954 / 79	6910 / 92	6907 / 92	6601 / 88	

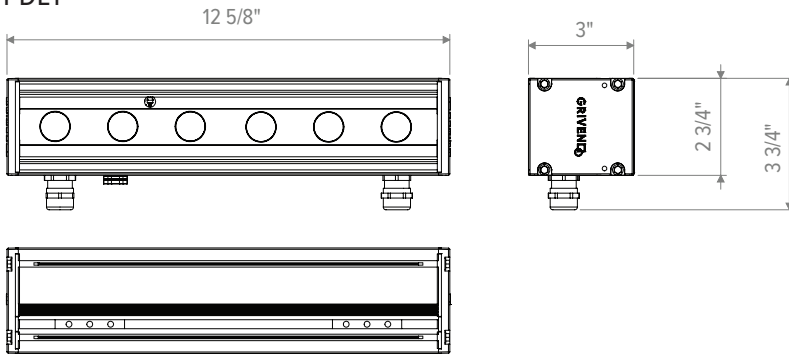
Values based on full output.

CERTIFICATIONS	SAFETY	ETL Certified for Wet Locations
	INGRESS PROTECTION	IP67
	IMPACT RATING	IK10
	WARRANTY	Five Year Limited Warranty

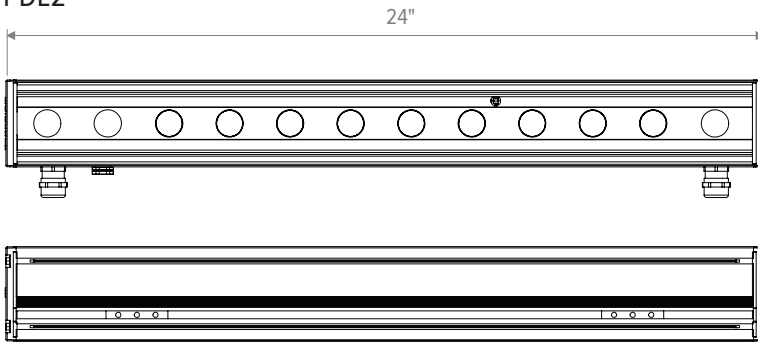
\* LED life may vary under actual field conditions due to external factors. Lifetime estimates are generated from actual testing in a controlled environment. Values are conservatively derived from those numbers.

**DIMENSIONS** All dimensions are shown in inches unless otherwise noted.

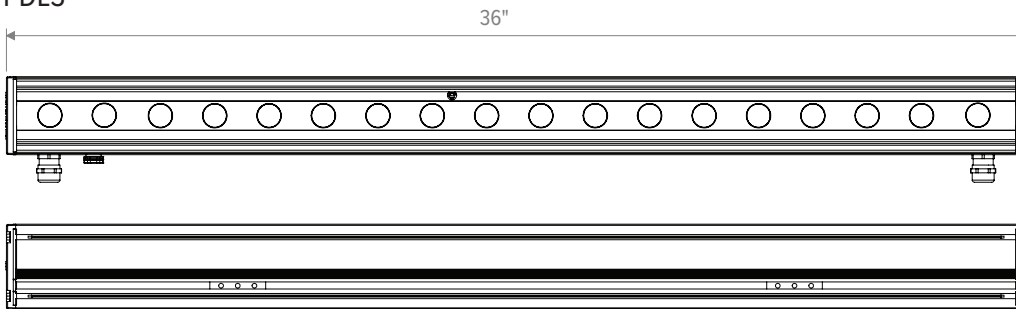
PDL1



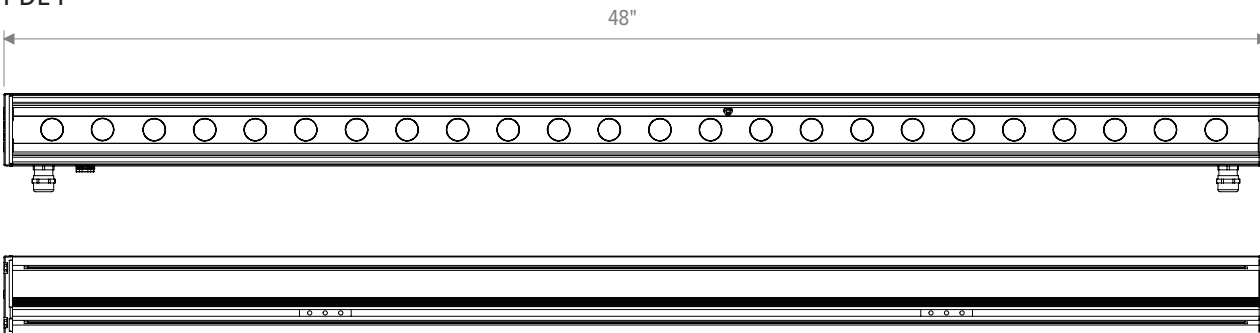
PDL2



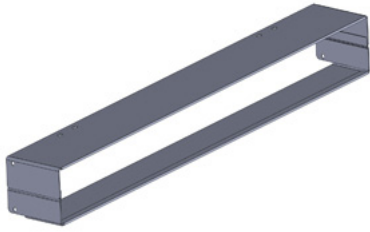
PDL3



PDL4

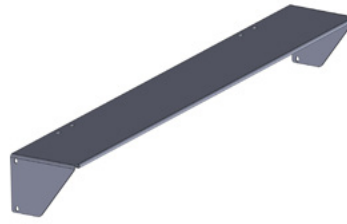


ACCESSORIES



**Snoot** (Specify Finish)

- AL5103-XX\* *Snoot for Parade PDL1*
- AL5104-XX\* *Snoot for Parade PDL2*
- AL5105-XX\* *Snoot for Parade PDL3*
- AL5106-XX\* *Snoot for Parade PDL4*



**Visor** (Specify Finish)

- AL5096-XX\* *Visor for Parade PDL1*
- AL5097-XX\* *Visor for Parade PDL2*
- AL5098-XX\* *Visor for Parade PDL3*
- AL5099-XX\* *Visor for Parade PDL4*

**\*XX- ACCESSORY FINISHES**

- AG Anthracite Grey
- BL Black
- SG Griven Silver Grey
- WH White
- CC Custom RAL Color

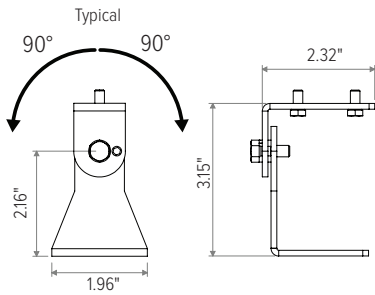


**Infrared Remote Control** (Note: Unless an RDM compatible control is used, an Infrared Remote Control (AL1321) must be purchased in order to access DMX addressing.)

IR-CONFIG-REMOTE

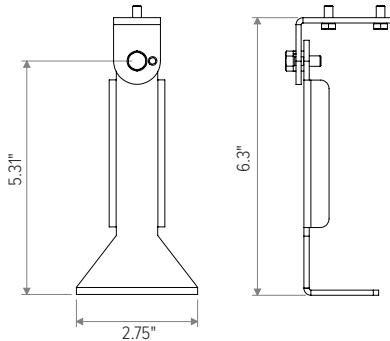
LUMINAIRE BRACKET OPTIONS (sold separately)

All dimensions are shown in inches unless otherwise noted.



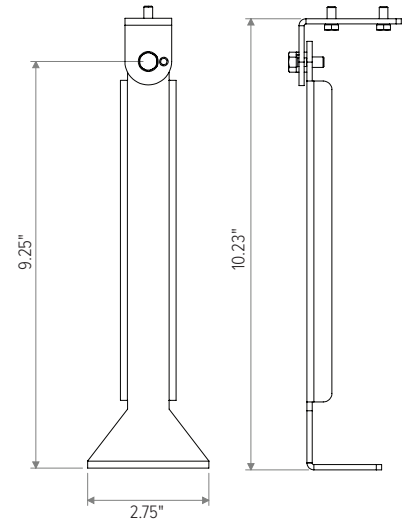
AL5055

3.15" Bracket



AL5056

6.3" Bracket

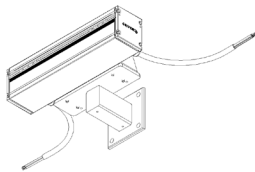


AL5057

10.23" Bracket

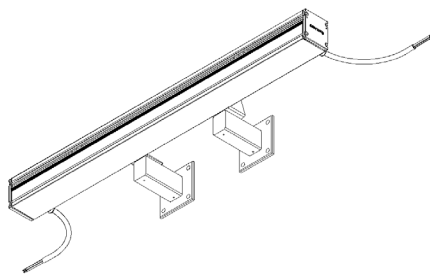
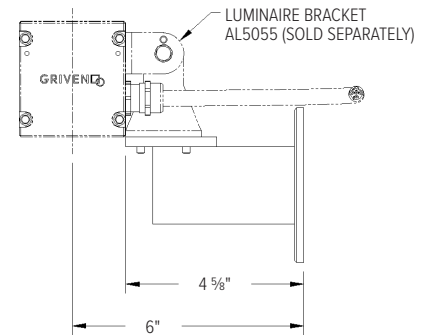
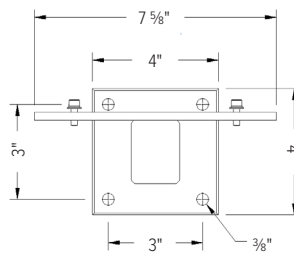
WALL BRACKET OPTIONS (sold separately)

The Griven Parade L Wall Bracket can be used with the Griven Parade L product family. The Wall Bracket will position the center of the Parade L optics at a distance of six inches from the wall.



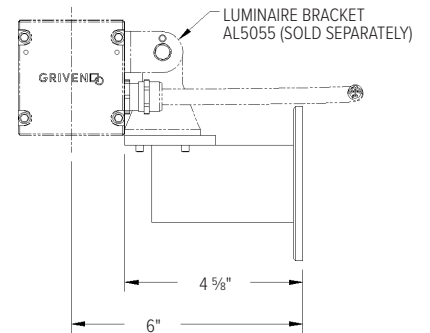
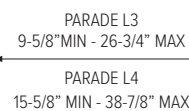
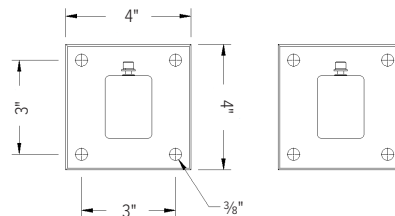
WB-06-PDL1/L2-XX\* (\*Specify finish)

(1) 6" Wall Bracket



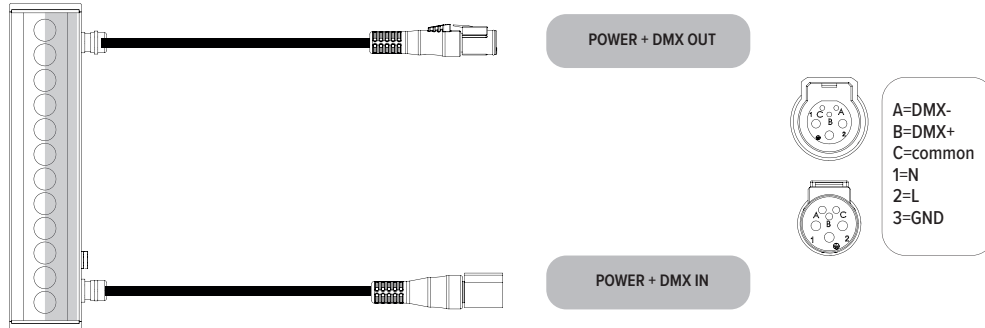
WB-06-PDL3/L4-XX\* (\*Specify finish)

(2) 6" Wall Bracket

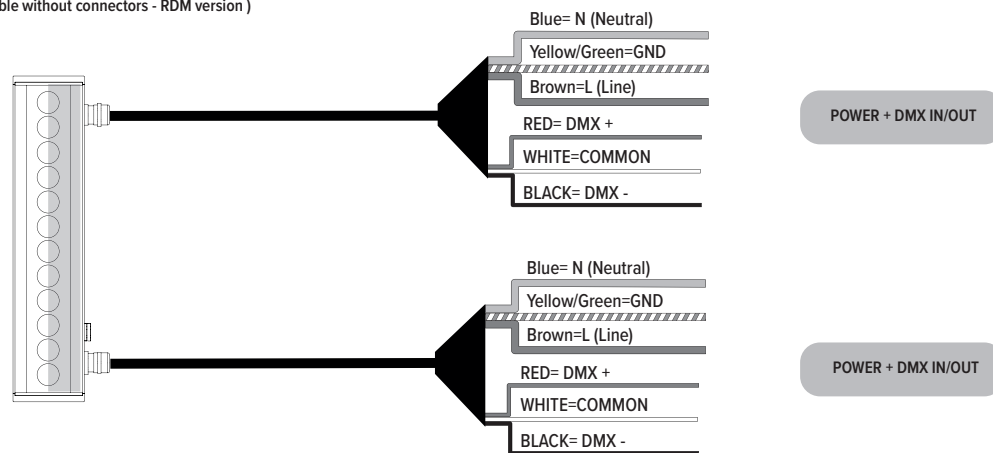


CONNECTIONS

"C" Type cable ( Monocable + connectors )



"M" Type cable ( Monocable without connectors - RDM version )

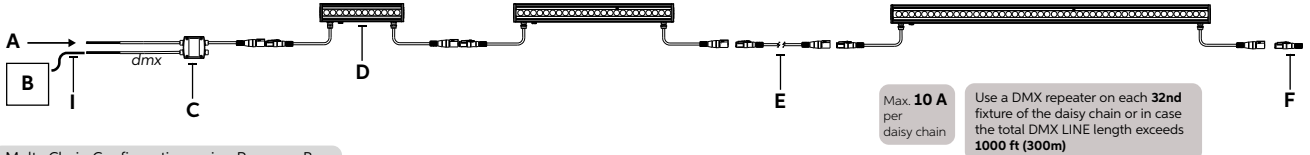


CONTROL OPTIONS (DMX512, PRIMARY CONTROL PLATFORM)

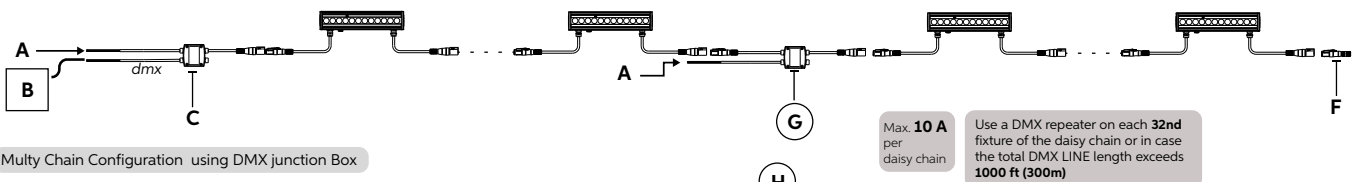
Contact manufacturer for control system development.

Copyright © 2020, GRIVEN S.r.l World Lighting Challenge - www.griven.com

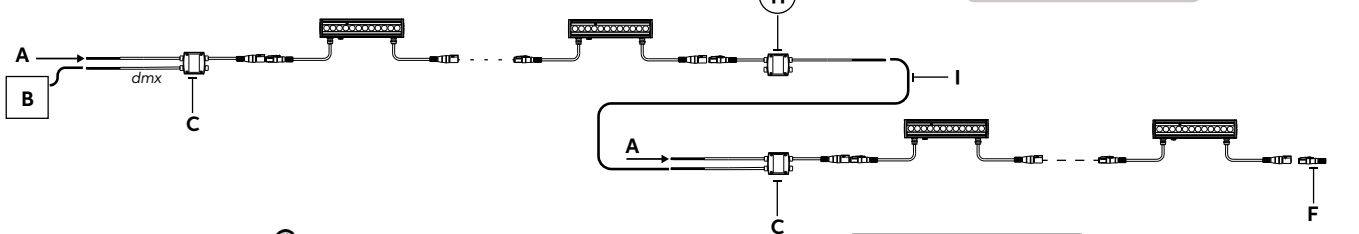
Single Chain Configuration



Multy Chain Configuration using Repower Box



Multy Chain Configuration using DMX junction Box



- A - Power Input CE ver. 220-240 Vac - ver. 120 & 277 Vac
- B - DMX/RDM Controller
- C - Start Line Box - AL5058C with connectors / AL5058M without connectors
- D - Parade L-1, L-2, L-3, L-4, L-2 Recessed, L-3 Recessed
- E - Connection Cable - AL8264 L=1m AL8265 L=2m AL8266 L=3m AL8267 L=5m AL8268 L=10m
- F - DMX Terminator - AL5169
- G - Repower Box - AL5167C with connectos / AL5167M without connectors
- H - DMX Junction Box - AL5059C with connectors / AL5059M without connectors
- I - DMX Cable - AL0512

CE Colours	USE
Brown	Live
Blue	Neutral
Yellow/Green	Ground
Red	DMX Data +
Black	DMX Data -
White	DMX GND

NOTES:

1. Wire specifications are available from factory as well as approved wire for purchase.
2. Other control protocol solutions available. Contact factory for more information.
3. Wireless components are external to fixture. Distance limitations based on antennas chosen and site conditions. Contact factory for more information.
4. Based on maximum of 32 fixtures per run as well as any site constraints on conveyance of data.
5. For example: Lutron, Crestron, Encelium, Douglas, ETC by others. Griven control system will interface with building lighting control system.
6. Local wall controller for small applications. Wall controllers specified separately for larger systems.
7. Contact factory for assistance with specification. Onsite commissioning by Griven of control system is required.